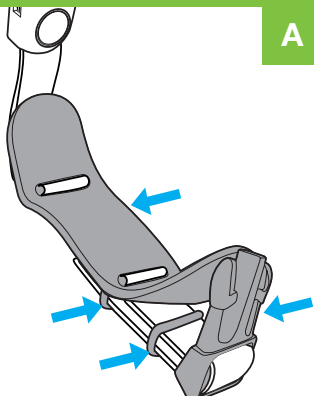


SPLIQ

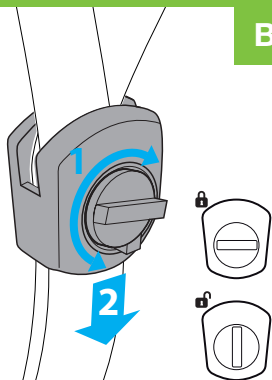
SPORT PROTECTION EQUIPMENT

A



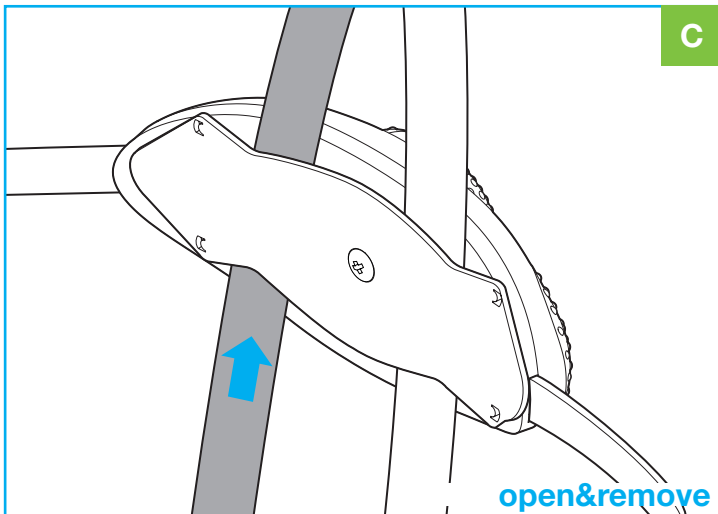
remove

B

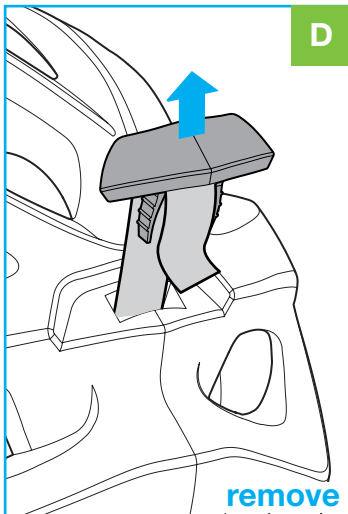
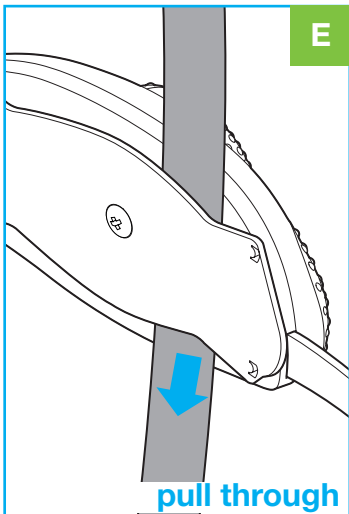
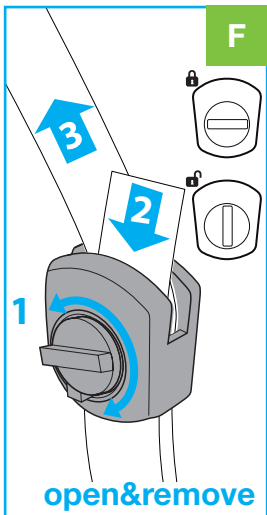


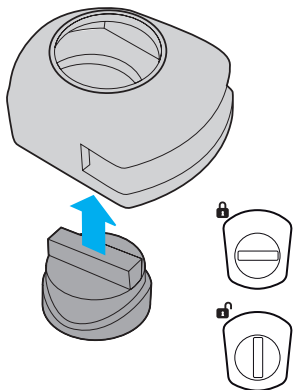
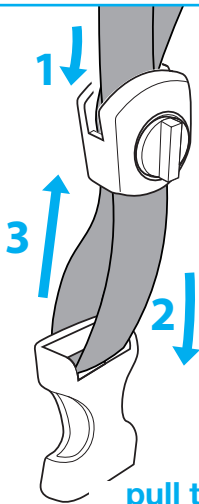
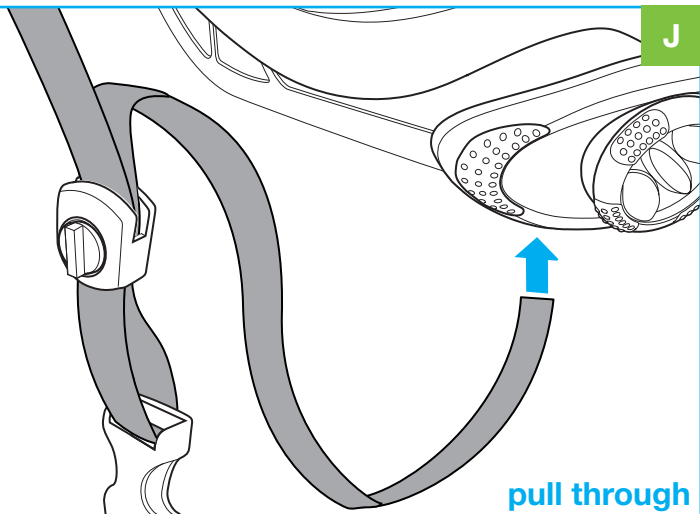
open&remove

C



open&remove

D**E****F****G**

H**stick together****I****pull through****J****pull through**

